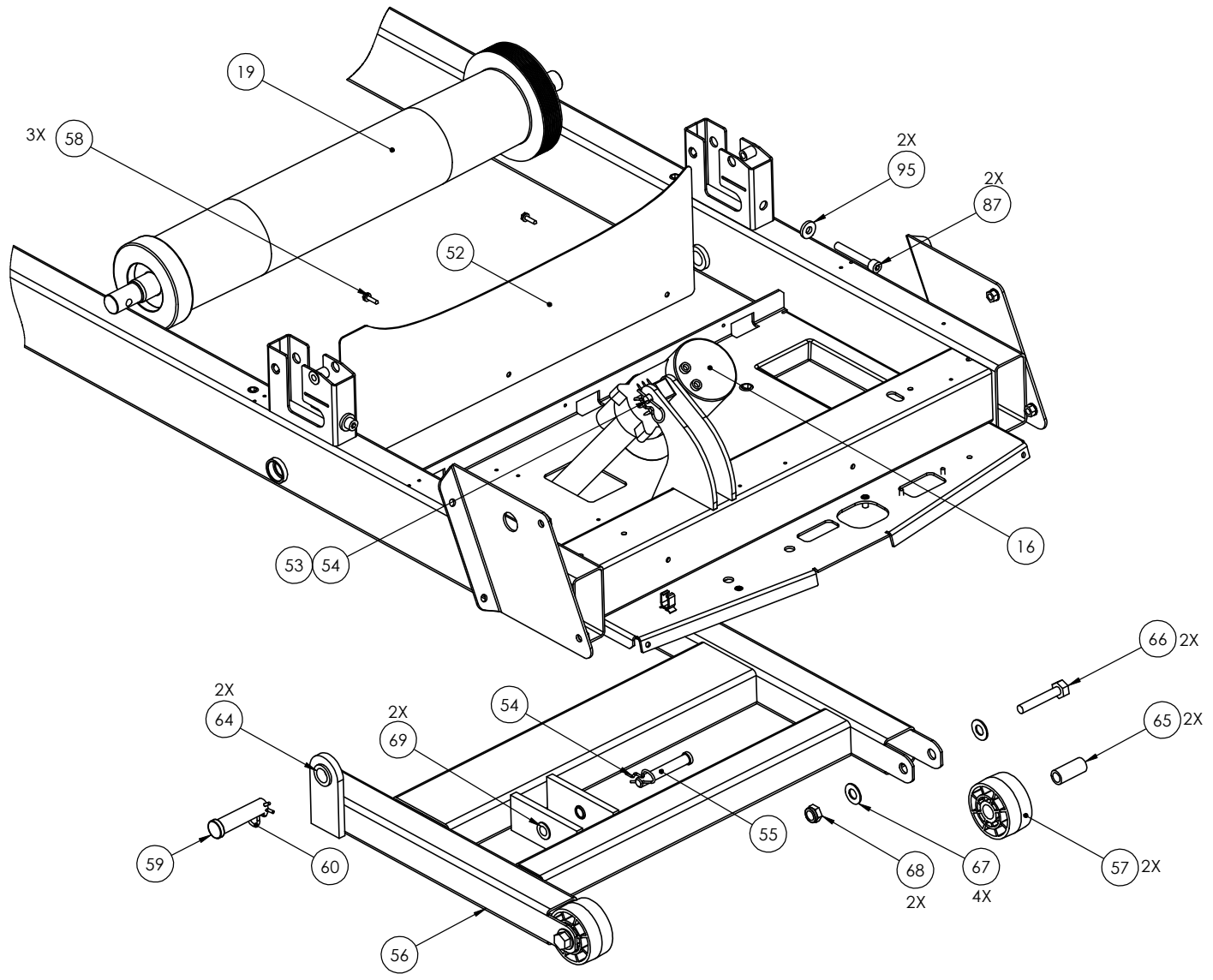
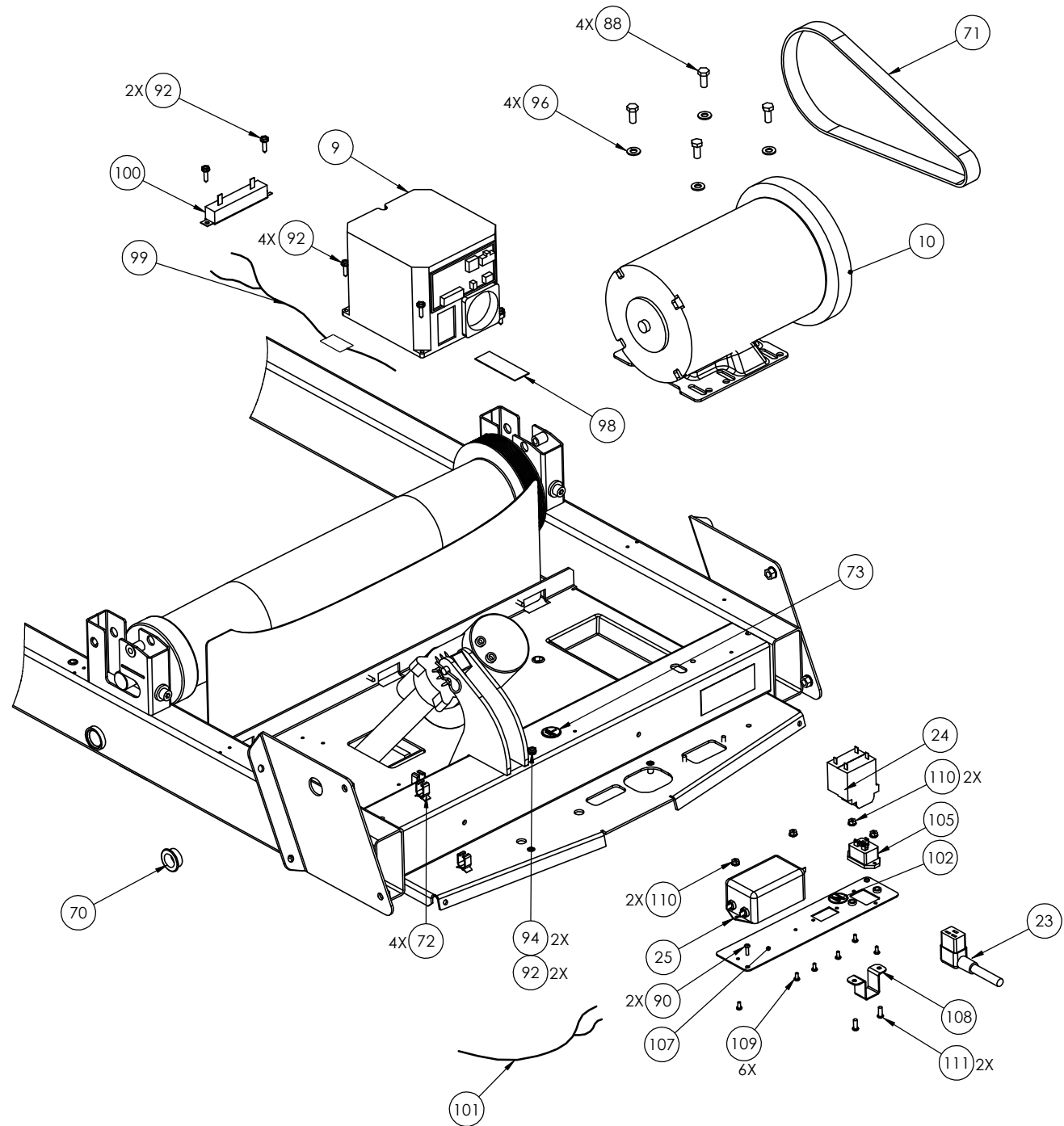
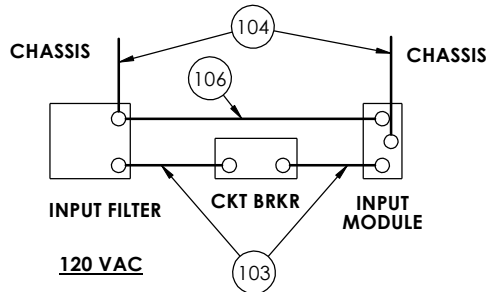
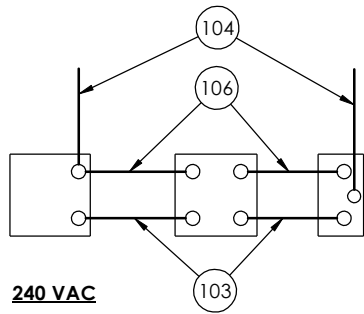
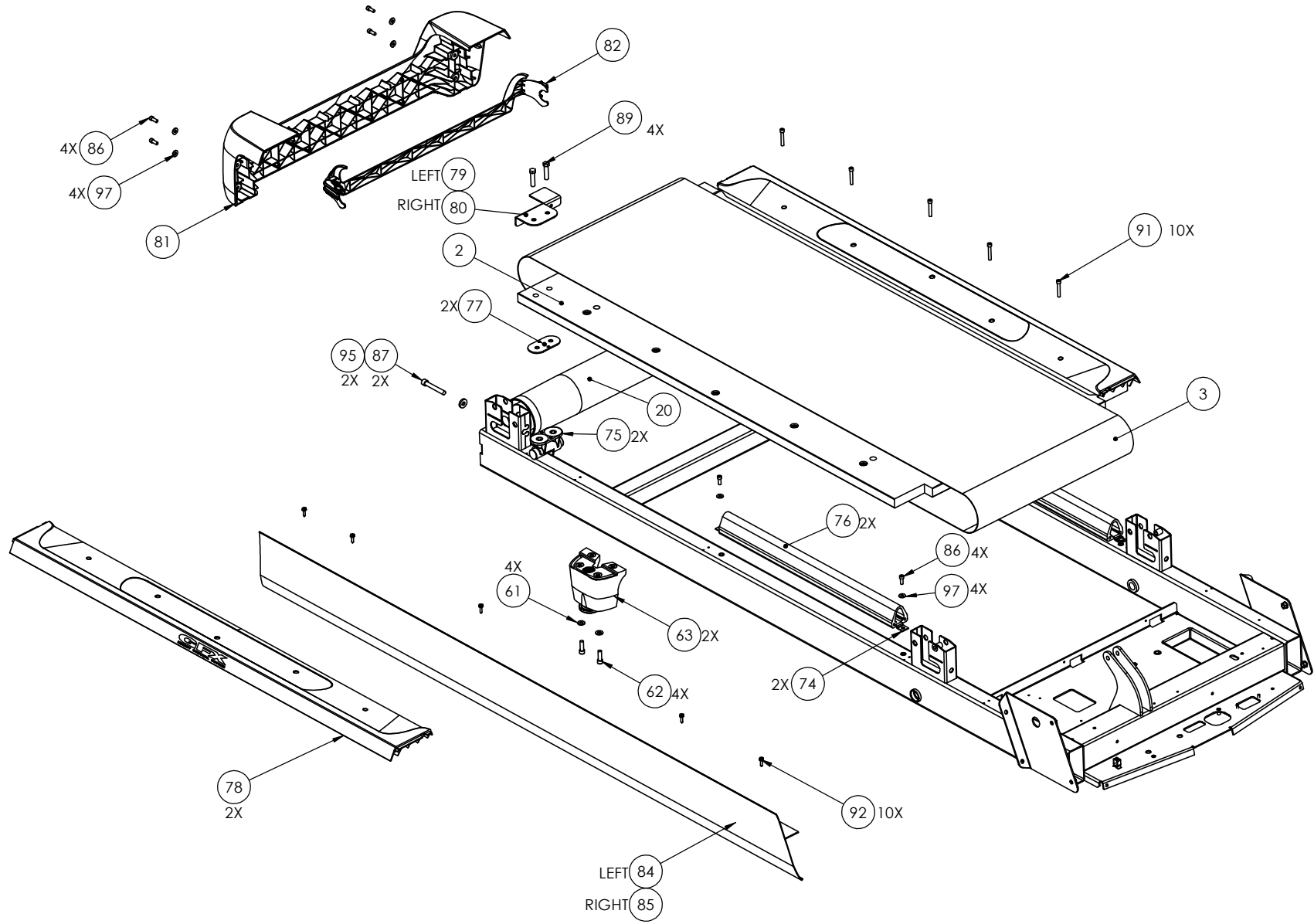


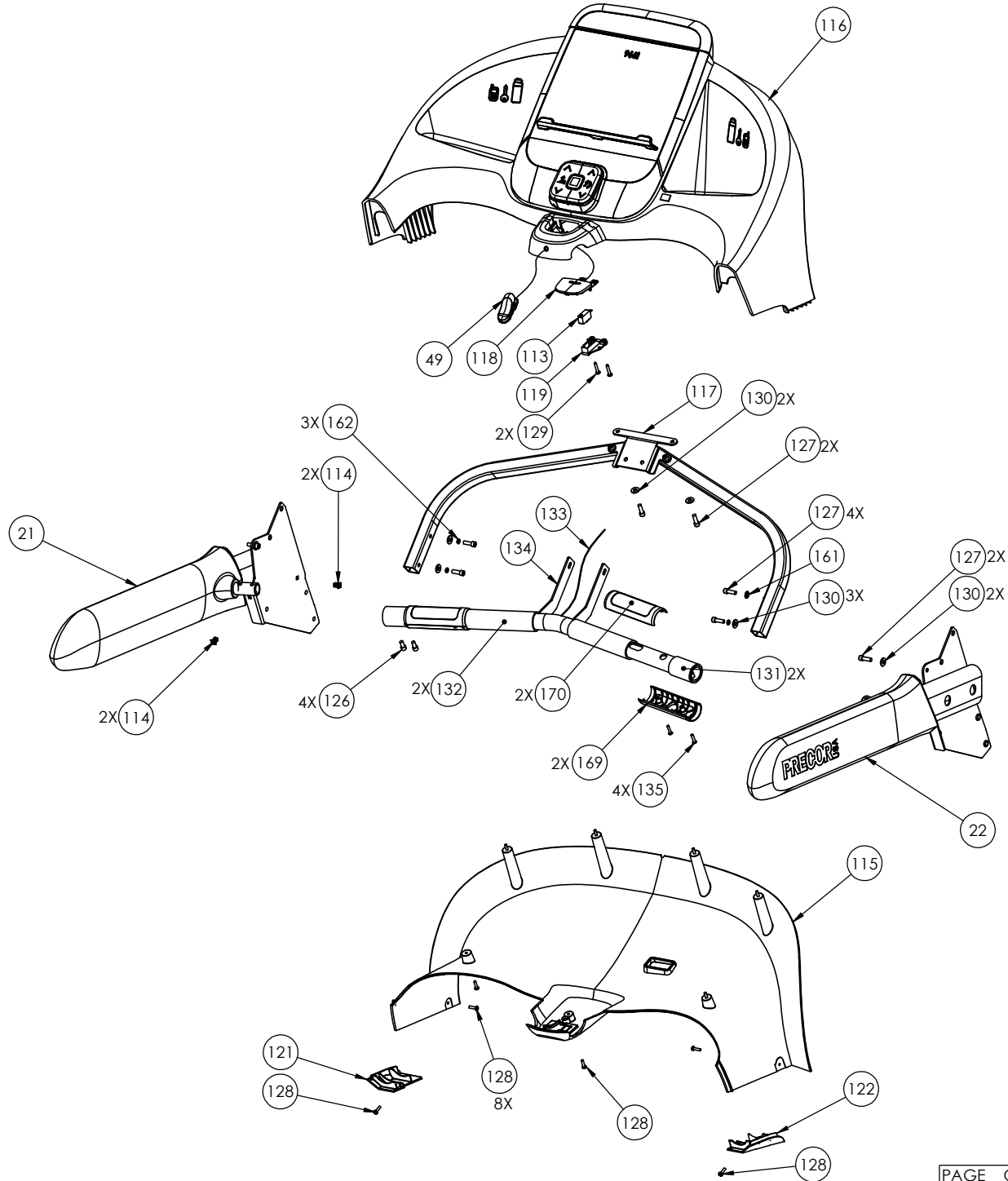


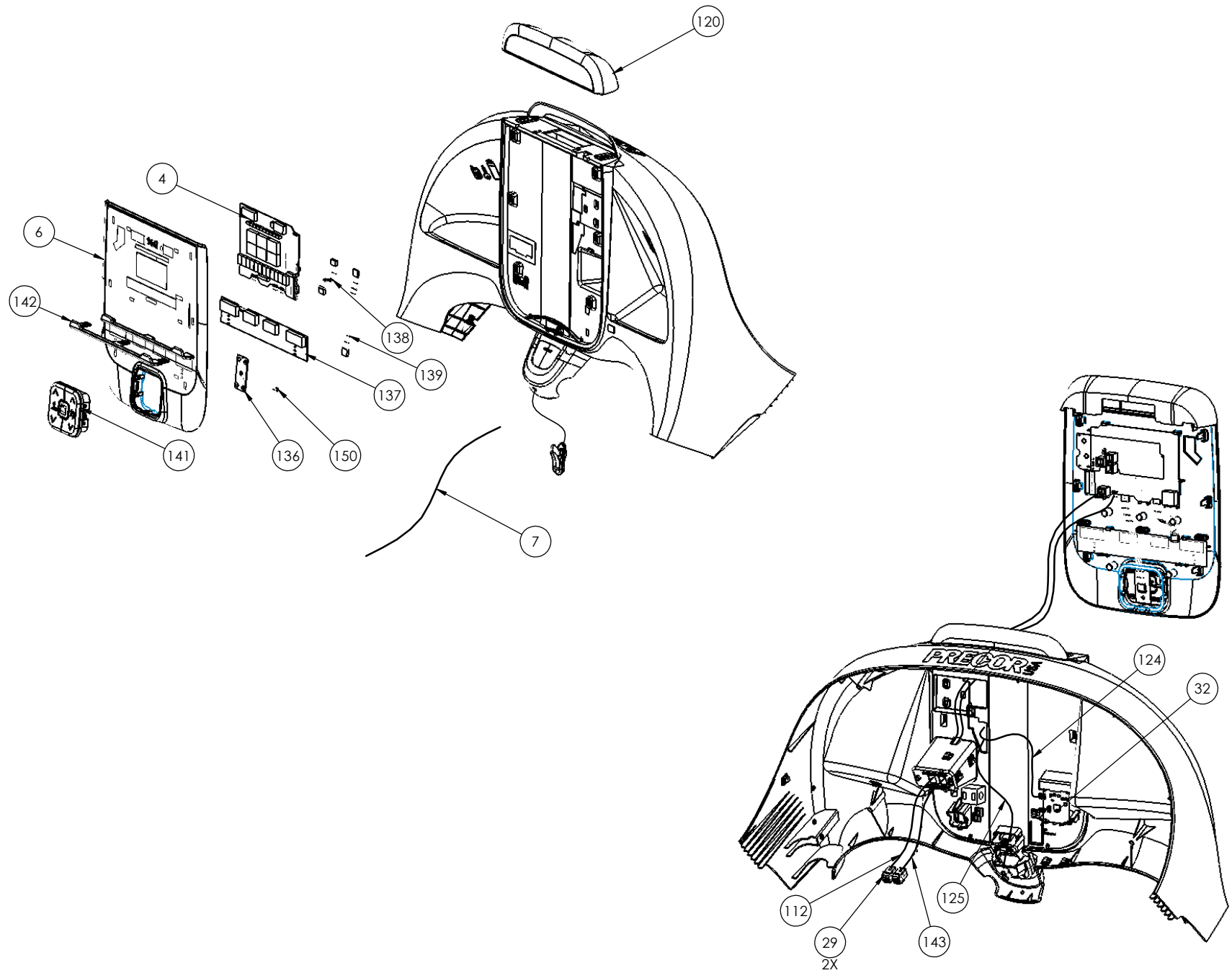
C9661	P/N : 49080-101	SUBREV : J
DRAWN BY : MAH	DATE : 08.27.10	SHEET 1 OF 7

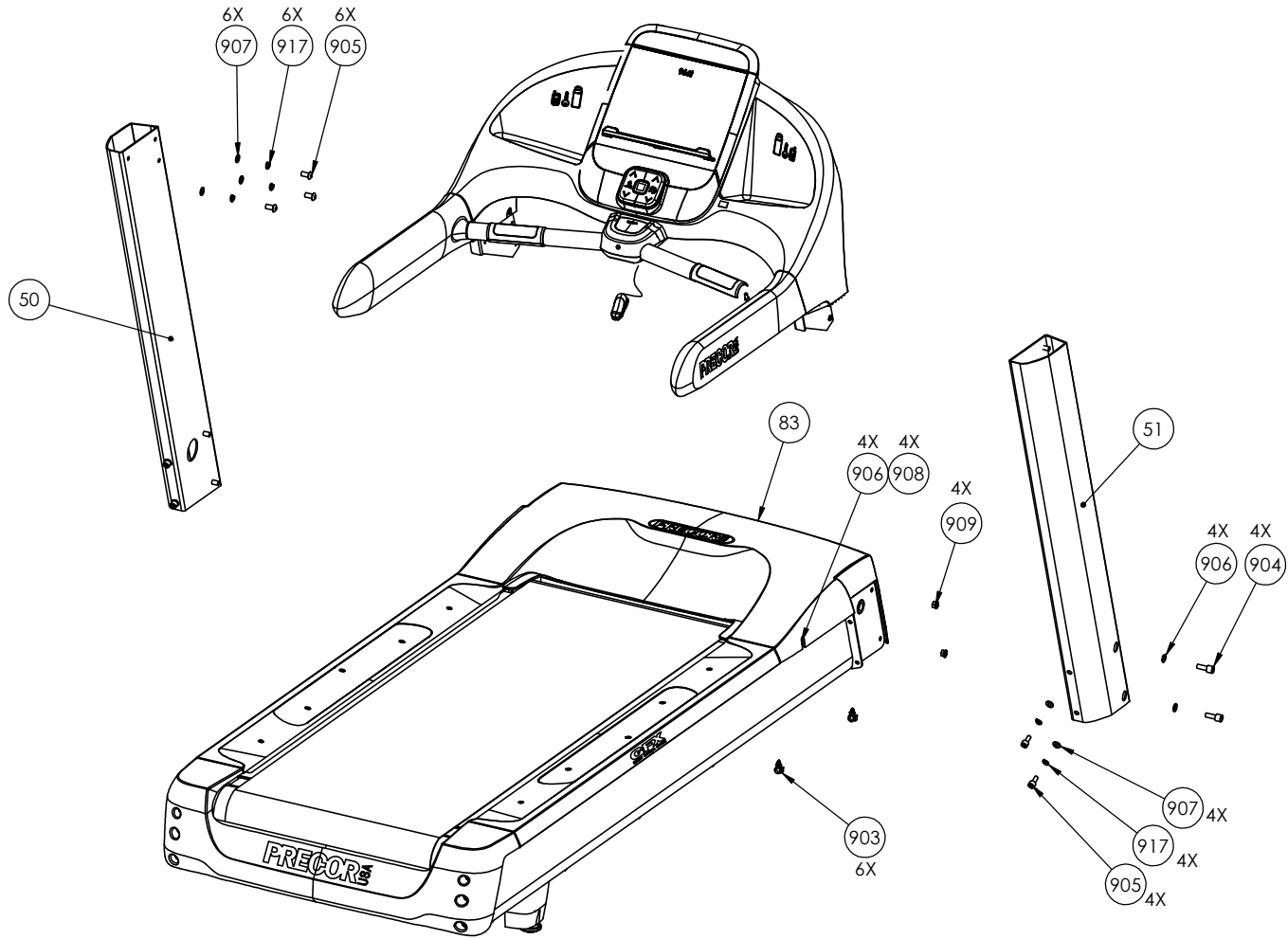












C966i (240VAC)(serial code AJMC, AMTC)

Part Number	Description	Bubble Number
PPP000000036355138	RUNNING BELT, SIEGLING 132.75 X 20	3
PPP000000048434403	PCA,DISPLAY,CL	4
PPP000000047271110	ASSY, UPCA & SW, C966	4.01
PPP000000048772111	ASSEMBLY, DISPLAY PANEL/LABELS, C96	6
PPP000000049320080	ASSY, CABLE, MODULAR WITH FERRITE	7
PPP000000058124101	KIT, BOXED, MODULE,MOTOR DRIVE,240V	9
PPP000000058066101	KIT, BOXED, ASSY, DRIVE MOTOR, AC I	10
PPP000000044257108	MOTOR, LIFT ACTUATOR, 240V, ROHS	16
PPP000000044214104	ASSEMBLY, DRIVE ROLLER	19
PPP000000044212104	ASSEMBLY, TAKE-UP ROLLER	20
PPP000000048669103	ASSEMBLY, HANDLEBAR, LEFT	21
PPP000000048669104	ASSEMBLY, HANDLEBAR, RIGHT	22
PPP000000046988144	PWR CORD,250VAC,16A,CEE 7/7RA - IEC	23
PPP000000047430144	PWR CORD,250VAC,C19 90 DEG, NEMA, 6-20I	23.1
PPP000000011462243	SCKT BRKR,250V,MAGNETIC,ROCKER,2 PO	24
PPP000000011224104	FILTER, POWER LINE, 250VAC, 16A, GE	25
PPP000000011415102	COUPLER,MOD,8P8C,INLINE,SNAP-IN	29
PPP000000043579108	ASSY BOARD, CHR, CONTACT PRIORITY/	32
PPP000000044021105	CLIP ASSEMBLY	49
PPP000000048668101	TARGA, LEFT,PAINTED	50
PPP000000048668102	TARGA, RIGHT,PAINTED	51
PPP000000048685101	DUST GUARD	52
PPP000000010401106	PIN,CLEVIS, 3/8 X 1.75, ZINC	53
PPP000000010400103	PIN, HITCH, .093 DIA, ZINC, #203	54
PPP000000045669107	PIN, LIFT PIVOT, 3.34, MUSHROOM HEA	55
PPP000000048659101	WELDMENT, LIFT PLATFORM	56
PPP000000044270101	WHEEL, LIFT	57
PPP00000PKCN019075	SCREW,S/T,#10X.75,WSHHXHD,ZN	58
PPP000000045669109	PIN, LIFT PIVOT, 3.27, MUSHROOM HEA	59
PPP000000010400106	PIN, HITCH, .125 DIA, ZINC, #216	60
PPP00000WBCN031007	WASHER,FLT,5/16X.688X.065, ZN	61
PPP00000CAMN031100	SCREW,SKHD,5/16-18X1,ZN (MECH PLATI	62
PPP000000048684101	ASSEMBLY, REAR FOOT	63
PPP000000010043136	BEARING,FLANGE .875ODX.750IDX.50L	64
PPP0000000036192101	BUSHING, SPANNER	65
PPP00000HCTN050250	SCREW,HEX,GR 5,1/2-13X2-1/2,BLK SHA	66
PPP00000KACN050019	LOCKNUT,HALF,1/2-13,ZN	68
PPP000000010043113	BEARING,FLANGE,OD=.62 ID=.5	69
PPP000000010178107	BUSHING, SNAP	70
PPP000000010214104	BELT, DRIVE, 825J10TEM POLY V, TEM,	71
PPP000000011278101	CABLE CLAMP,INSERT	72
PPP000000033984101	LABEL, SAFETY, GROUND SYMBOL	73

PPP00000044074106	STRAP, GFX TIE DOWN	74
PPP00000044234101	DECK PIVOT	75
PPP00000044236101	GFX CUSHION	76
PPP00000044263101	PLATE, SPACER, DECK	77
PPP000000300833101	BRACKET, REAR ROLLER GUARD, LEFT, P	79
PPP000000300833102	BRACKET, REAR ROLLER GUARD, RIGHT,	80
PPP00000048694101	END CAP	81
PPP00000048695103	BELT GUARD, END CAP	82
PPP00000059090104	GEN-06 HOOD KIT, 966I, 240V	83
PPP00000048765101	SIDE TRIM, LEFT, C966I,PAINTED	84
PPP00000048765102	SIDE TRIM, RIGHT, C966I,PAINTED	85
PPP000000CAMN025063	SCREW,SKHD,1/4-20X5/8,ZN (MECH PLAT	86
PPP000000CKMN038250	SCREW,SKHD,3/8-24X2.50L,.78 SHOULDE	87
PPP000000HCCN031075	SCREW, HEX HD, GRADE 5, 5/16-18 X .	88
PPP000000HCCN038150	SCREW,HEX,GR 5,3/8-16X1 1/2,ZN	89
PPP000000MGCN019050	SCREW, MACHINE, 10-24X1/2, PANHD, P	90
PPP000000CATN025150	SCREW, SKHD,1/4-20X1.50,BLK SHARPER	91
PPP000000PKCN019075	SCREW,S/T,#10X.75,WSHXHD,ZN	92
PPP000000300438102	PLATE, CONNECTOR, COAX/CAT5,	93
PPP000000WAMCN019002	WASHER, LOCK, EXT TOOTH, #10	94
PPP000000WAVCN038015	WASHER, FLAT, 3/8 X .875 X .150	95
PPP000000WBCN031007	WASHER,FLT,5/16X.688X.065, ZN	96
PPP000000WNCN026006	WASHER,FLT,1/4X.625X.063,ZN	97
PPP000000048941016	ASSY,CBL,2C,16AWG,BROWN,QK DISC - M	99
PPP000000012248101	RES,WW,100 OHM,50W,10%,METAL CASE,.	100
PPP000000048940101	ASSY,CABLE, FILTER TO DRIVE MODULE	101
PPP0000000037436101	LABEL, CHASIS NEUTRAL	102
PPP0000000044528006	ASSY,CBL,1 COND,14AWG,QK DISC,6",BR	103
PPP0000000040731009	CBL,1C,14AWG,#10 RING/250X032 QD RE	104
PPP0000000045381101	IEC 16/20A POWER CORD INLET	105
PPP0000000045383009	CBL,1C,14AWG,250X032 QD RECP/250X03	106
PPP0000000048760101	PLATE, POWER ENTRY	107
PPP0000000048761101	CLAMP, POWER CORD	108
PPP000000MGCN013038	SCREW,MCH,6-32X3/8,PANHD,PHIL,	109
PPP000000KGCN013011	LOCKNUT, STARWASHER 6-32, #6	110
PPP000000MGCN019050	SCREW, MACHINE, 10-24X1/2, PANHD, P	111
PPP0000000044905012	ASSY,CBL,MOD,8P8C,1-1,SILVER,12"	112
PPP0000000012259102	SWITCH,MICRO,PLUNGER,SPNC	113
PPP0000000012628101	INSERT, SQUARE, NYLON	114
PPP0000000048666101	DASH, COMMERCIAL, BOTTOM	115
PPP0000000048667104	DASH, COMMERCIAL, TOP	116
PPP0000000048703102	ASSY, PVS UPPER MOUNT	117
PPP0000000048710103	STOP BUTTON, GEN 06	118
PPP0000000048711102	SWITCH MOUNT, GEN 06	119

PPP00000048713101	TOP, DISPLAY-C, BLANK	120
PPP00000048715101	TRANSITION, DASH - TARGA, LEFT	121
PPP00000048715102	TRANSITION, DASH - TARGA, RIGHT	122
PPP00000049330024	ASSY, CABLE, CHOKE-GND HHR TO DISP	124
PPP00000048921017	ASSY, CABLE, UPPER SAFETY SWITCH, 1	125
PPP0000CCNN025050	SCREW,SKHD,1/4-20 X0.50,SS,LK	126
PPP00000CAMN025075	SCREW, SKHD, 1/4 X 0.75, ZN,(MECH P	127
PPP00000MGCN016063	SCREW,MCH,8-32X5/8,PANHD,PHIL,	128
PPP00000PMTN016088	SCREW,TCS,#8X7/8,PHIL,BLK SHARPERIZ	129
PPP000000038048120	GRIP, PLASTISOL, 2.0	131
PPP000000038048121	GRIP, PLASTISOL, 6.0	132
PPP000000047342025	ASSY, CABLE, HHR PCA TO GRIP, W/SH	133
PPP000000048699501	ASSY, CROSSBAR, COMMERCIAL TREAD, H	134
PPP00000TCNN016075	SCREW, BTHD, 8-32X.75,SS	135
PPP000000048947152	ASSY, PCA & SW, DISPLAY-C, METRICS,	137
PPP000000048602005	ASSY,CABLE,6C,.1 CTR,1-1,GOLD,5"	138
PPP000000048602009	ASSY,CABLE,6C,.1 CTR,1-1,GOLD,9"	139
PPP000000059212101	ASSY W/BOARD D-PAD, 5 POSITION, TRE	141
PPP000000048712104	BOOK SUPPORT, DISPLAY-C, MAKROBLEND	142
PPP000000048918012	ASSY, CABLE, MOD, 8P8C, 1-1, BLACK,	143
PPP00000CAMN031100	SCREW,SKHD,5/16-18X1,ZN (MECH PLATI	144
PPP00000MGCN013025	SCREW,MCH,6-32X1/4,PANHD,PHIL,	153
PPP000000048747102	ASSEMBLY, HOOD	160
PPP0000WAMCN025002	WASHER, LOCK, EXT TOOTH, 1/4	161
PPP0000WALCN025006	WASHER, SPLIT LOCK, 1/4 MED,	162
PPP000000042714102	HHR SENSOR,BOTTOM	169
PPP000000042713102	HHR SENSOR, TOP	170
PPP000000012746101	FERRITE,CLAMP ON,RND CBL	180
PPP000000049595101	GEN06 ADT DRIVE 240V SPACER	181
PPP00000PKCN019125	SCREW,S/T,#10X1.25,WSHXHD,ZN	182
PPP000000048963106	HARDWARE KIT, 9X6I	200
PPP000000058091101	KIT, BUTTON, QUICK START, TREAD	210
PPP000000049003403	PCA, SNAPDOME D-PAD	239
PPP000000048733131	D-PAD, 5 POSITION, TREAD, ICON	240
PPP000000059127104	GEN06 TRIM REPLACEMENT KIT, C966, 9	241
PPP000000012909101	5/16" SCREW EXTRACTOR	243
PPP000000011075105	FUSE,2.00A,250VAC,SLO,RAD,UL248-14	250
PPP000000012414101	CABLE CLAMP INSERT,SNAP IN	903
PPP00000CATN031075	SCREW,SKHD,5/16-18X0.75,BLK SHARPER	904
PPP00000TCNN031075	SCREW,BTHD,5/16-18X.75,SS	905
PPP00000WEGN031007	WASHER, FLT, 5/16X.688X.065,SS, BLK	906
PPP00000WENN031007	WASHER, FLT, 5/16X.688X.065,SS	907
PPP00000TATN031075	SCREW,BTHD,5/16-18X3/4,BLK SHARPERI	908
PPP00000KGCN031027	LOCKNUT,STARWASHER,5/16-18,1/2	909

PPP0000WALCN031008	WASHER, 5/16 SPLIT LOCK, ZINC	917
PPP000000049070110	LITERATURE KIT, C956I/C966I GEN-06,	999